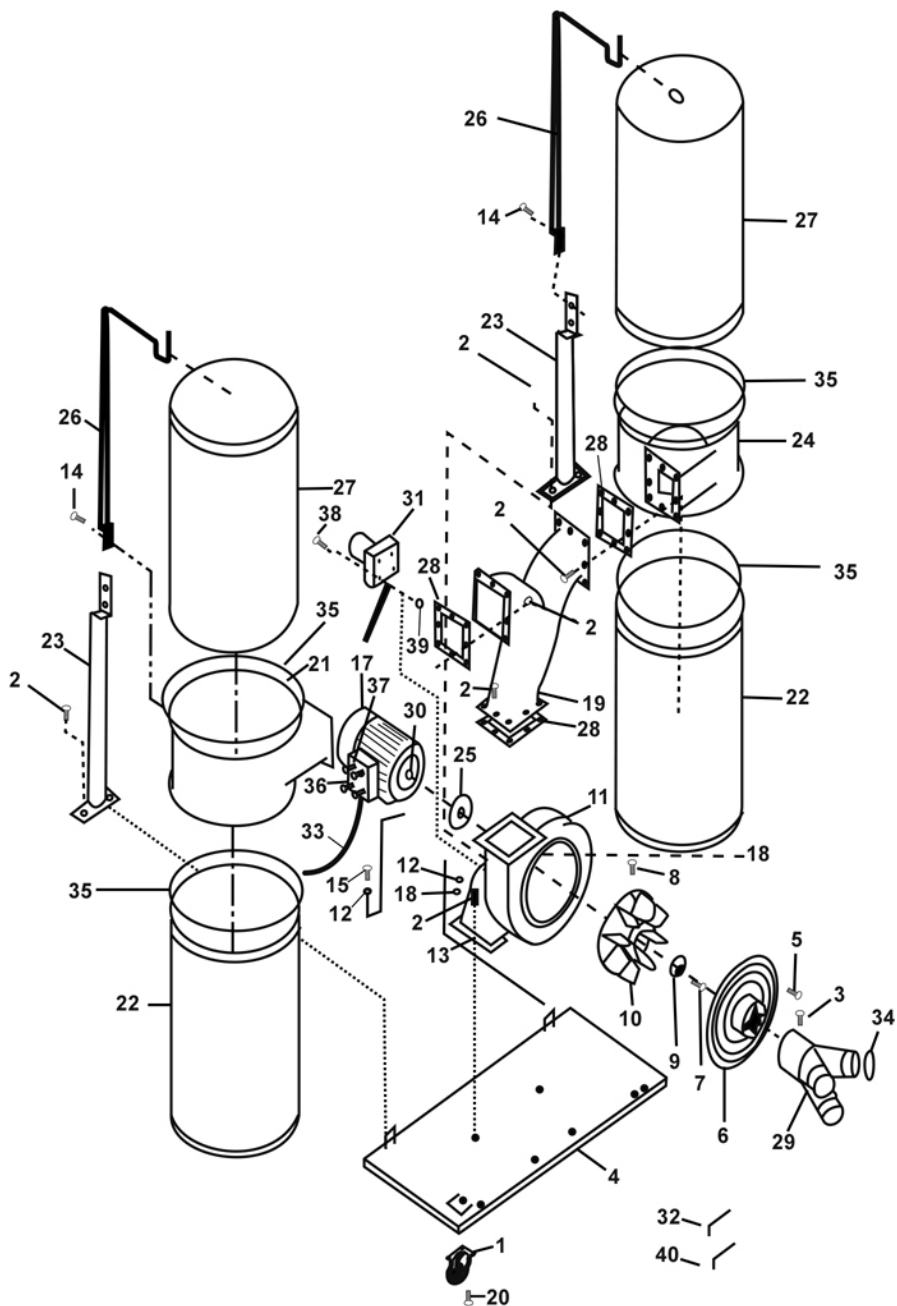


PARTS DIAGRAM



PARTS LIST

S.No.	Description	Qty.		S.No.	Description	Qty.
1	Caster	4		22	Collector Bag	2
2	Screw	6		23	Collector Support	2
3	Screw	2		24	Right-Collector	1
4	Base Plate	1		25	Washer	1
5	Screw	1		26	Upper Bag Support	2
6	Inlet	1		27	Filter Bag	2
7	Screw	1		28	Packing	3
8	Screw Hex	1		29	Inlet	1
9	Washer	1		30	Key	1
10	Turbo Fan	1		31	Switch	1
11	Collector	1		32	Wrench Hex	1
12	Washer	2		33	Cable	1
13	Motor Base	1		34	Cap	1
14	Screw Hex	2		35	Bag Clamp	4
15	Screw Hex	1		36	Switch Box	1
16	Bolt	4		37	Head Screw	4
17	Motor	1		38	Screw	1
18	Nut	2		39	Washer	1
19	Connector	1		40	Wrench	1
20	Screw	1				
21	Left-Collector	1				